

# PATRIOT

## Heavy Duty Gas Countertop Hot Plates

FMCTH-12  
FMCTH-24  
FMCTH-36

### Patriot's gas countertop hot plates

are designed for use with either natural or LP gas. Constructed of stainless steel front and sides that are fully welded, these units are able to stand the toughest of kitchen environments. Each unit includes tips for field conversion to LPG.



FMCTH-36

### Standard Features

- Stainless steel front bullnose design and side construction that's fully welded for extra durability
- 25,000 BTU per burner
- Two cast iron burners every 12" grate width
- 4"-5" adjustable legs
- Separate gas valves for each burner with one pilot light per burner
- Removable stainless steel drip tray for easy cleaning
- 3/4" rear NPT gas inlet
- ETL Listed and ETL Sanitation

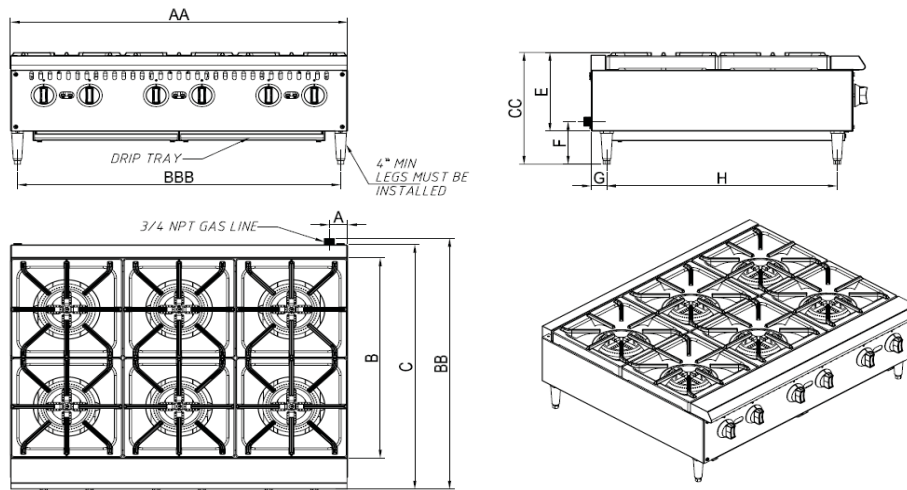
### Specifications



Model	Overall Width	Burners	Total BTU	Net Weight	Gross Weight
FMCTH-12	12"	2	50,000	62 lbs	95 lbs
FMCTH-24	24"	4	100,000	119 lbs	152 lbs
FMCTH-36	36"	6	150,000	187 lbs	222 lbs

# PATRIOT

## Gas Countertop Hot Plates FMCTH-12, FMCTH-24, FMCTH-36



### Unit Dimensions (inches)

Model	A	B	C	E	F	G	H	BBB	AA	BB	CC
FMCTH-12	2	24	29.3	9.5	9.5	1.5	24.5	10.5	12	30	13.5
FMCTH-24	2	24	29.3	9.5	9.5	1.5	24.5	22.5	24	30	13.5
FMCTH-36	2	24	29.3	9.5	9.5	1.5	24.5	34.5	36	30	13.5

### Drip Tray (inches)

Model	Width	Depth	Height	Drip Tray Qty
FMCTH-12	7	23	0.75	1
FMCTH-24	19	23	0.75	1
FMCTH-36	15.25	23	0.75	2

### Warranty

Patriot warrants this product to be free of defects in materials and workmanship for period of 3 years from the date of original installation.