

PATRIOT®

Gas Ranges w/Burners and Oven

FMGR-24/NG
FMGR-36/NG
FMGR-60/NG

Patriot's gas ranges are constructed of a stainless steel front, backriser, shelf and feet. Each 28,000 BTU burner has its own 12"x12" removable cast iron grate with standing pilot light and individual control knob for quick, instant lighting. The oven and has a total BTU output of 28,000 BTU/hr. The interior of the oven is constructed of all steel with a porcelain oven liner. The oven thermostat adjusts from 200°F-600°F and is equipped with a flame failure safety device. Includes casters and 24.75" high backriser. ¾" rear NPT gas connection.

Construction

- Stainless steel front, backriser and shelf
- 28,000 BTU/hr top burners with lift-off heads
- 12" x 12" cast iron removable top grates
- Individual pilot light for each burner
- Spring loaded door with cool to touch s/s handle
- Removable crumb tray for easy cleaning
- Comes standard with casters
- ¾" rear NPT gas connection
- LPG conversion kit included

Oven Features

- 28,000 BTU/hr total output
- Flame failure safety device
- Adjustable thermostat from 200°F-600°F
- Steel liner on door and sides with a porcelain oven liner
- Includes removable and adjustable oven racks
- Cool to touch stainless steel oven door handle

Top Burners

- Cast iron burners each giving off 28,000 BTU/hr
- 12" x 12" cast iron top grates are removable for easy cleaning and maintenance
- Each burner has an individual standing pilot light and control knob



FMGR-24



FMGR-36



FMGR-60

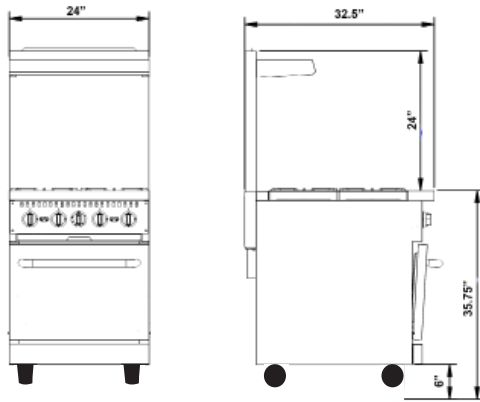
Patriot warrants this product to be free of defects in materials and workmanship for a period of 3 years from the date of original installation.



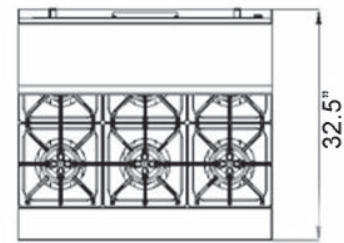
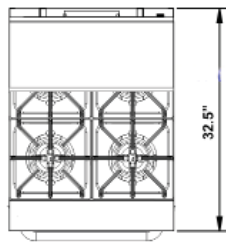
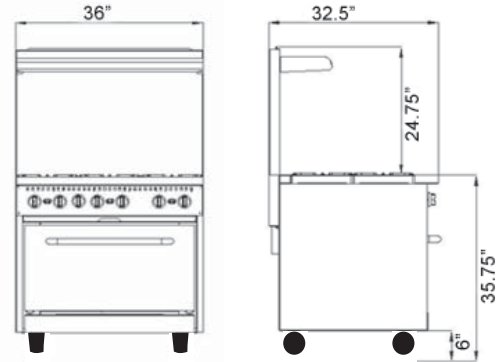
PATRIOT® Gas Ranges w/Burners and Oven

Plan View

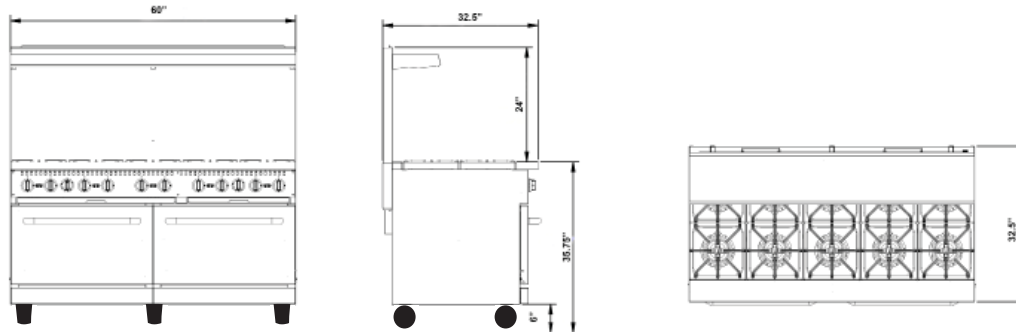
FMGR-24



FMGR-36



FMGR-60



Specifications

Model Number	Description	Total BTU/hr	Gross Weight	Net Weight
FMGR-24/NG	24" Gas Range w/4 Burners NG	140,000	365 lbs	291 lbs
FMGR-36/NG	36" Gas Range w/6 Burners NG	196,000	456 lbs	390 lbs
FMGR-60/NG	60" Gas Range w/10 Burners NG	336,000	785 lbs	617 lbs

Model Number	Overall Dimensions	Oven Cavity Dimensions	Crumb Tray	Fit Full Size Pan (18"x26")
FMGR-24/NG	24"W x 32.5"D x 60"H	20.5"W x 26"D x 14"H	1	No
FMGR-36/NG	36"W x 32.5"D x 60"H	26.75"W x 26"D x 14"H	1	Yes
FMGR-60/NG	60"W x 32.5"D x 60"H	26.75"W x 26"D x 14"H (2 ovens)	2	Yes